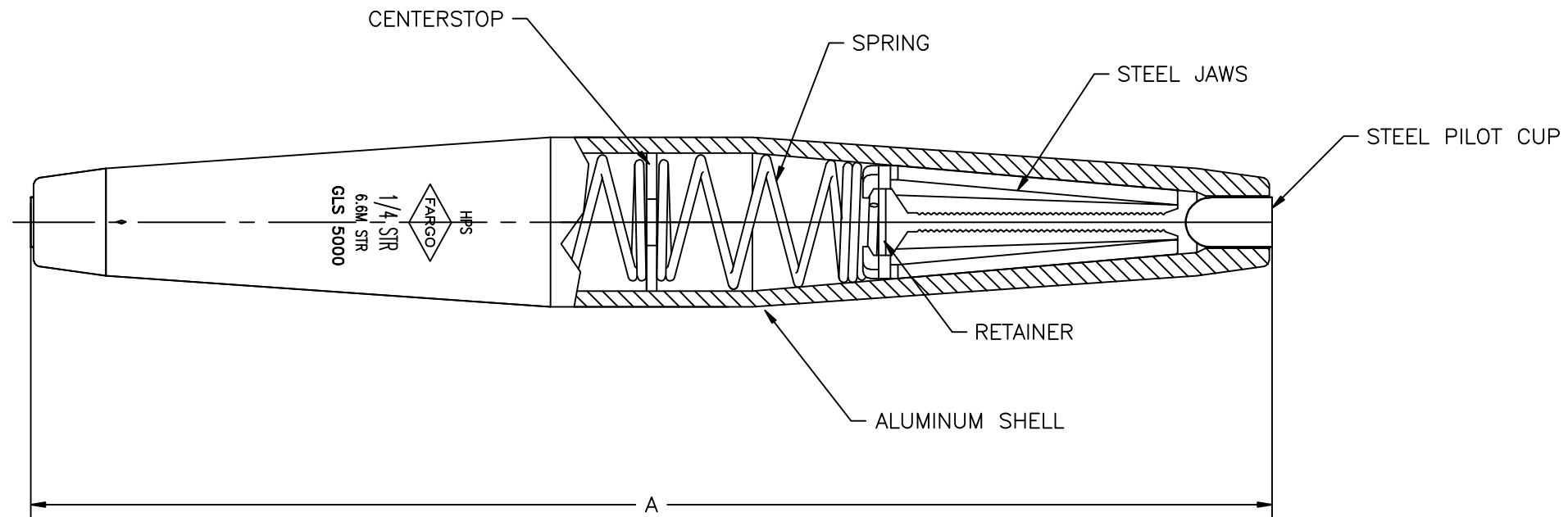



INSTALLATION INSTRUCTIONS:

1. CONDUCTOR SHOULD BE CLEANED, STRAIGHT, IN LAY AND FREE OF BURRS.
2. INSERT CONDUCTOR INTO SPLICE AS FAR AS POSSIBLE. PULL CONDUCTOR BACK FOR INITIAL GRIP.
3. APPLY MOMENTARY TENSION BEFORE RELEASING BLOCKS TO MAKE CERTAIN JAWS ARE "SET" ON CONDUCTOR.

| CATALOG NUMBER | PRIMARY STRAND APPLICATION | RANGE (IN) | RANGE (MM) | DIMENSIONS (IN) |
|----------------|----------------------------|-------------|------------|-----------------|
| | | | | A |
| GLS-5000 | 1/4" | 0.240-0.253 | 6.11-6.44 | 6.4 |
| GLS-5001 | 5/16" | 0.310-0.335 | 7.89-8.53 | 7.2 |
| GLS-5002 | 3/8" | 0.360-0.405 | 9.16-10.31 | 8.1 |

DIMENSIONS FOR REFERENCE ONLY



| | | | | | |
|--|----------|-----------------------|--------------|--|---|
| 13244 | 4/13/05 | MAH | SAS | FARGO® TOLERANCE CHART |  HUBBELL® POWER SYSTEMS |
| EC # | DATE | CHG BY | RESP ENG | | |
| DESC OF DWG: REMOVED 'MANUFACTURING DRAWING' COLUMN FROM CHART. --- --- --- REASON (S) FOR CHANGE: --- DISPOSITION OF MAT'L: --- | | | | CONFIDENTIAL: THIS DRAWING AND ITS CONTENTS ARE CONFIDENTIAL AND THE EXCLUSIVE PROPERTY OF HUBBELL POWER SYSTEMS. NO PUBLICATION, DISTRIBUTION OR COPIES MAY BE MADE WITHOUT THE WRITTEN CONSENT OF HUBBELL POWER SYSTEMS. HUBBELL POWER SYSTEMS UNPUBLISHED ALL RIGHTS RESERVED UNDER THE COPYRIGHT LAWS. | TITLE GLS 500X GUY WIRE SPLICE |
| SIZE | DWG NO. | CAT / PART / ASSY NO. | | REV | |
| B | CC-17556 | GLS 500X | | 03 | |
| DO NOT SCALE THIS DRAWING | | DRN BY LVC | DATE 8/25/04 | SHEET 1 OF 1 | |